

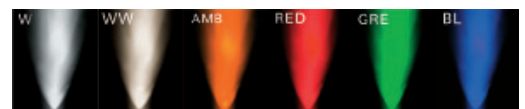


3W Inground Path Light

The 3W LED Path light is a durable LED Fixture designed for marker lighting applications such as pathway lighting, deck lighting, driveway lighting, wall lighting, handrails and balustrades, and many more.

Made from 316 stainless steel it is suitable for both interior and exterior usage.

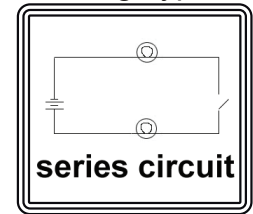
Available Colours



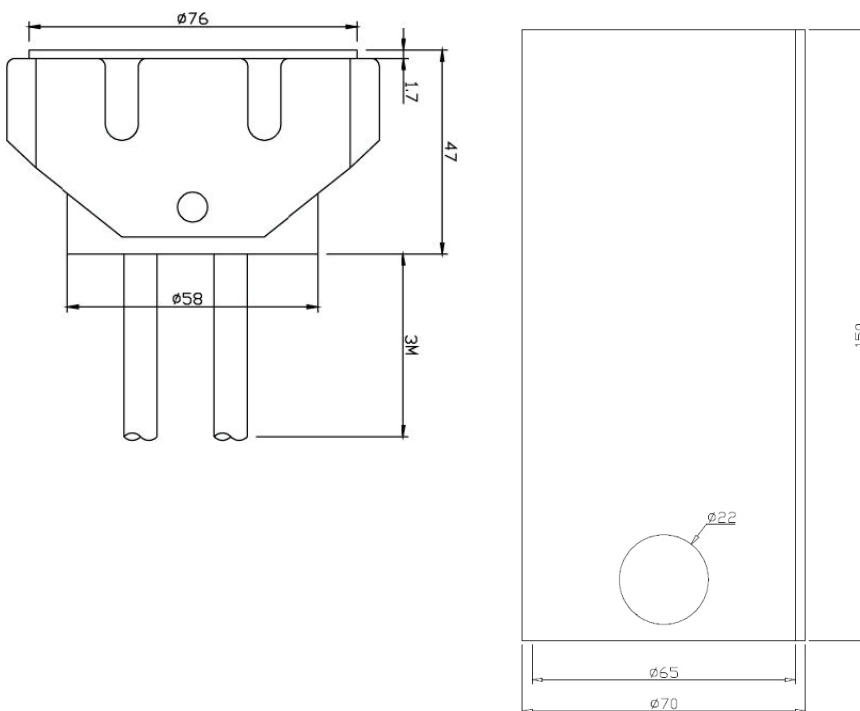
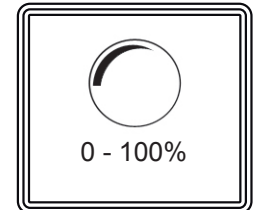
Technical Specifications

Product Description	3W Inground Path light
Height	47mm
Width	58mm
Trim	76mm
LED Quantity	3 x CREE LED
IP Rating	IP 68
Supply Current	350mA
Power Consumption	3W
Beam Angle	Dispersive
Connection Type	Series
LED LifeSpan	50,000 hours
Dimmable	Yes

Wiring Type



Dimming



IP Rating
IP68

Input
350mA

Power
3W

Beam
Dispersive

LED's
CREE

Product Code

Cool White	LED-IG-150-W
Warm White	LED-IG-150-WW
Amber	LED-IG-150-Y
Red	LED-IG-150-R
Green	LED-IG-150-G
Blue	LED-IG-150-B
In-ground Canister	LED-IG-140-CAN

Showroom: (By Appointment Only)
Unit 46 / 55 - 59 Norman Street
Peakhurst NSW 2210

www.ledlighting.com.au
Email: sales@ledlighting.com.au

T: (02) 9534 4404
F: (02) 9534 4405