

LED Driver Range

Second Edition



Where Quality Meets Performance

LED Lighting is Dedicated to the Manufacture and Wholesale of Quality LED Strip Lighting Products and Accessories





www.ledlighting.com.au
sales@ledlighting.com.au

TEL: +612 9534 4404

A brand you can trust with over 14 years experience in the field of LED Lighting

A Division of "Optic Fibre and LED Lighting Solutions Pty Ltd"

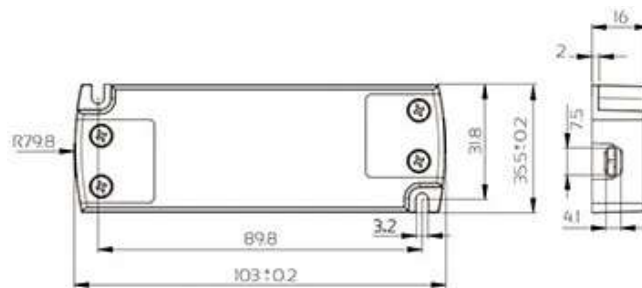
Important

	<i>Federal Communications Commission</i>
	<i>UL mark for Canada and the US</i>
	<i>CE mark of conformity</i>
	<i>The transformer complies with European regulation, in general situation, could mount on or in furniture and cabinet</i>
	<i>Flammable marks</i>
	<i>International mark for independent converter</i>
	<i>International mark for protection II</i>
SELV	<i>International mark for transformers of converters(safety extra-low voltage)</i>
	<i>The surface temperature of transformer/ballast will not be more then 110°C on the condition of overload or short circuit</i>
	<i>C-Tick Compliant</i>
	<i>US and Canadian UL approved</i>

Test standard for electronic control

EN6 1347-1	<i>General safety requirements</i>
EN6 1347-2-2	<i>Safety requirements for step down converters for filament lamps</i>
EN6 1347-2-3	<i>Safety requirements for electronic ballast</i>
EN6 1347-2-13	<i>Particular requirements for d.c or a.c supplied electronic control gear for LED modules</i>
EN60929	<i>Performance requirements for electronic ballast</i>
EN55015	<i>Limits and methods of measurements of radio interference characteristics of lights</i>
EN61547	<i>EMC immunity requirements for lighting purposes equipment</i>
EN6 1000-3-2	<i>Limits for harmonic current emissions</i>
EN6 1000-3-3	<i>Limitations of voltage fluctuations and flicker</i>
FCC PART 15	<i>Wireless access interference measurement standards</i>
UL 8750	<i>LED Equipment for use in lighting products (Class 2)</i>
UL 1310	<i>Class 2 power units</i>
EN 62493-2010	<i>Assessment of lighting equipment related to human exposure to electromagnetic fields</i>

12VDC 20W LED Driver

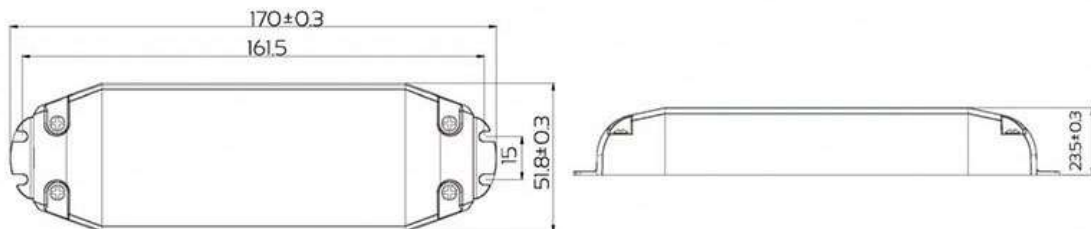


Product specifications

Input Voltage: 200-240VAC
 Output Voltage: 12VDC
 Output Power: 20 watts maximum
 IP Rating: IP20
 Working Temperature: -20 C~45 C
 Dimmable: N/A
 Material: Plastic
 Length: 103mm
 Width: 35mm
 Height: 16mm
 Weight: 60g

Item No	Product Code	Description
18016	LED-SPE20-12VF	12VDC 20W LED Driver

12VDC 30W LED Driver

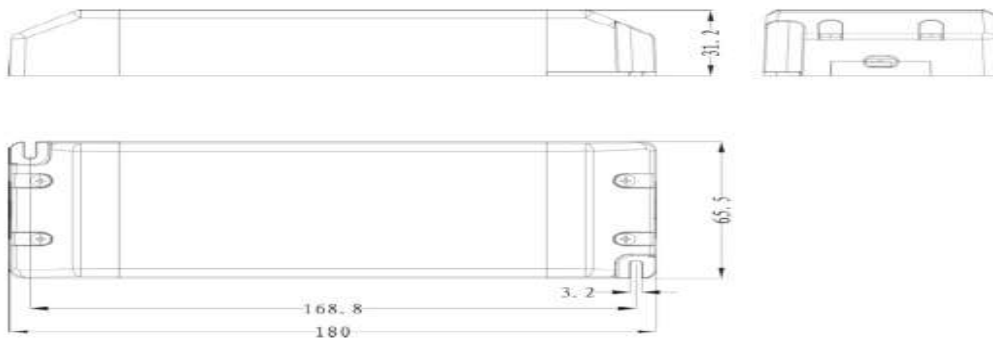


Product specifications

Input Voltage: 200-240VAC
Output Voltage: 12VDC
Output Power: 30 watts maximum
IP Rating: IP20
Working Temperature: -20 C~45 C
Dimmable: N/A
Material: Plastic
Length: 170mm
Width: 51mm
Height: 24mm
Weight: 125g

Item No	Product Code	Description
18012	LED-SNP30-12VL	12VDC 30W LED Driver

12VDC 100W LED Driver

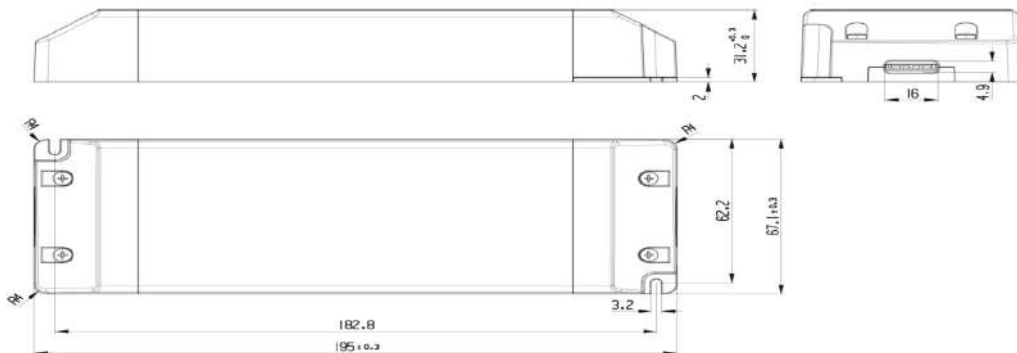
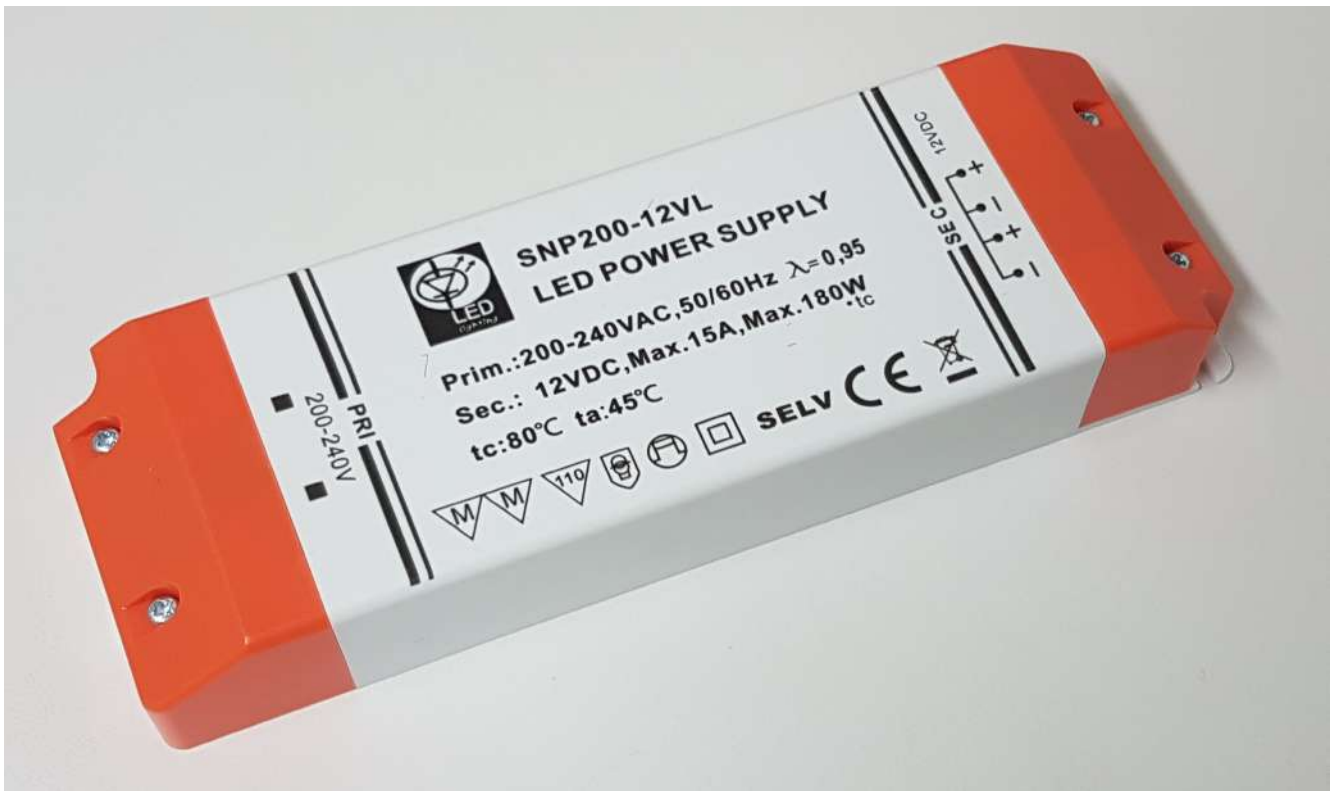


Product specifications

Input Voltage: 200-240VAC
 Output Voltage: 12VDC
 Output Power: 100 watts maximum
 IP Rating: IP20
 Working Temperature: -20 C~45 C
 Dimmable: N/A
 Material: Plastic
 Length: 180mm
 Width: 65mm
 Height: 31mm
 Weight: 400g

Item No	Product Code	Description
18015	LED-SNP100-12VL	12VDC 100W LED Driver

12VDC 180W LED Driver

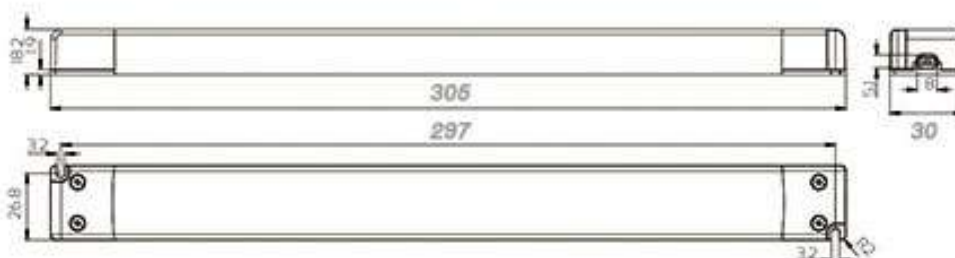


Product specifications

Input Voltage: 200-240VAC
Output Voltage: 12VDC
Output Power: 180 watts maximum
IP Rating: IP20
Working Temperature: -20 C~45 C
Dimmable: N/A
Material: Plastic
Length: 195mm
Width: 67mm
Height: 31mm
Weight: 480g

Item No	Product Code	Description
18017	LED-SNP200-12VF	12VDC 180W LED Driver

12VDC 75W THIN LED Driver



Product specifications

Input Voltage: 200-240VAC

Output Voltage: 12VDC

Output Power: 75 watts maximum

IP Rating: IP20

Working Temperature: -20 C~45 C

Dimmable: N/A

Material: Plastic

Length: 305mm

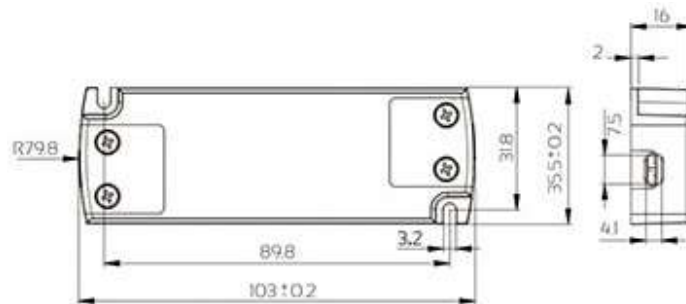
Width: 30mm

Height: 16.7mm

Weight: 180g

Item No	Product Code	Description
18018	LED-SNP75-12VL-THIN	12VDC 75W THIN LED Driver

24VDC 20W LED Driver

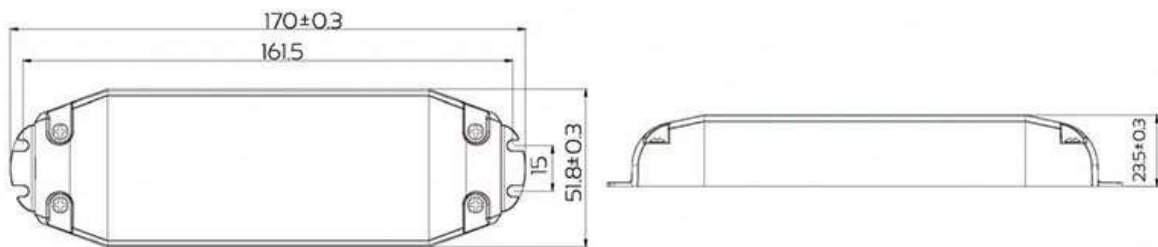


Product specifications

Input Voltage: 200-240VAC
Output Voltage: 24VDC
Output Power: 20 watts maximum
IP Rating: IP20
Working Temperature: -20 C~45 C
Dimmable: N/A
Material: Plastic
Length: 103mm
Width: 35mm
Height: 16mm
Weight: 60g

Item No	Product Code	Description
18113	LED-SPE20-24VF	24VDC 20W LED Driver

24VDC 30W LED Driver

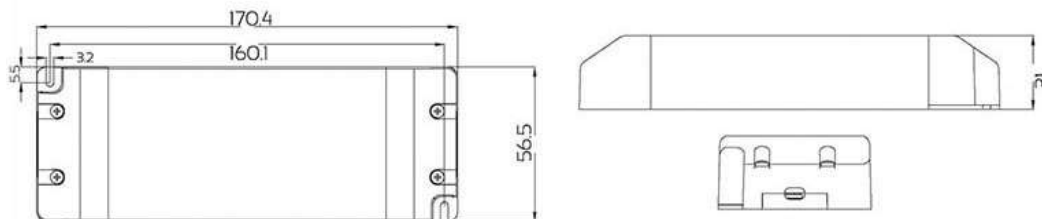


Product specifications

Input Voltage: 200-240VAC
Output Voltage: 24VDC
Output Power: 30 watts maximum
IP Rating: IP20
Working Temperature: -20 C~45 C
Dimmable: N/A
Material: Plastic
Length: 170mm
Width: 51mm
Height: 24mm
Weight: 125g

Item No	Product Code	Description
18111	LED-SNP30-24VL	24VDC 30W LED Driver

24VDC 75W LED Driver



Product specifications

Input Voltage: 200-240VAC

Output Voltage: 24VDC

Output Power: 75 watts maximum

IP Rating: IP20

Working Temperature: -20 C~45 C

Dimmable: N/A

Material: Plastic

Length: 200mm

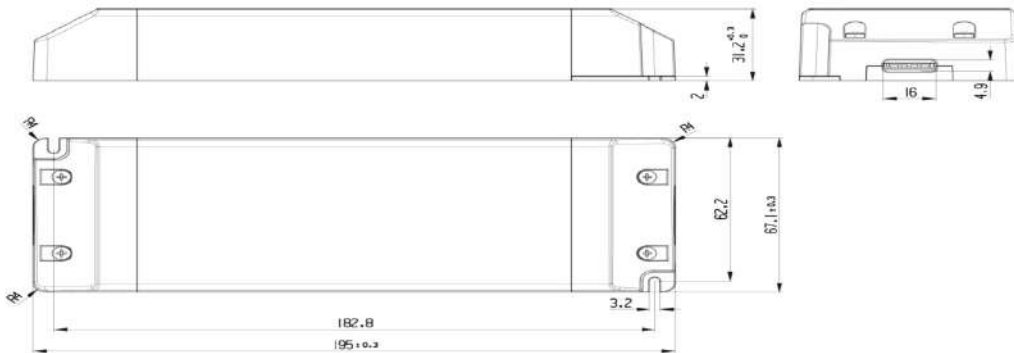
Width: 63mm

Height: 30mm

Weight: 320g

Item No	Product Code	Description
18112	LED-SNP75-24VL	24VDC 75W LED Driver

24VDC 200W LED Driver

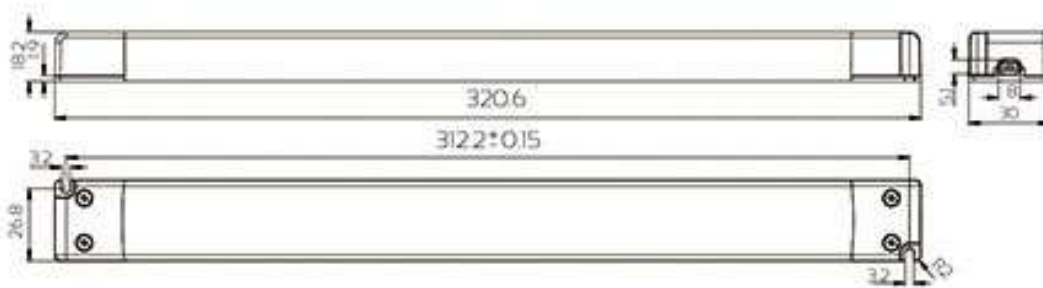


Product specifications

Input Voltage: 200-240VAC
 Output Voltage: 24VDC
 Output Power: 200 watts maximum
 IP Rating: IP20
 Working Temperature: -20 C~45 C
 Dimmable: N/A
 Material: Plastic
 Length: 195mm
 Width: 67mm
 Height: 31mm
 Weight: 480g

Item No	Product Code	Description
18115	LED-SNP200-24VL	24VDC 200W LED Driver

24VDC 100W THIN LED Driver



Product specifications

Input Voltage: 200-240VAC

Output Voltage: 24VDC

Output Power: 100 watts maximum

IP Rating: IP20

Working Temperature: -20 C~45 C

Dimmable: N/A

Material: Plastic

Length: 320mm

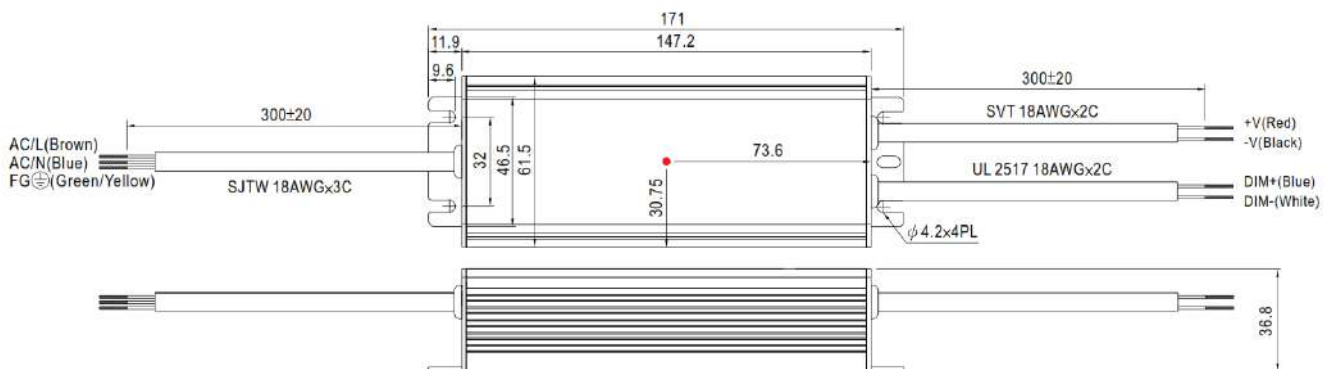
Width: 27mm

Height: 18mm

Weight: 180g

Item No	Product Code	Description
18116	LED-SNP100-24VF-THIN	24VDC 100W THIN LED Driver

Weatherproof 12VDC 40W LED Driver



Product specifications

Input Voltage: 90-305VAC

Output Voltage: 12VDC

Output Power: 40 watts maximum

IP Rating: IP67

Working Temperature: -20 C~45 C

Dimmable: 0-10V (down to 70%)

Material: Metal

Length: 171mm

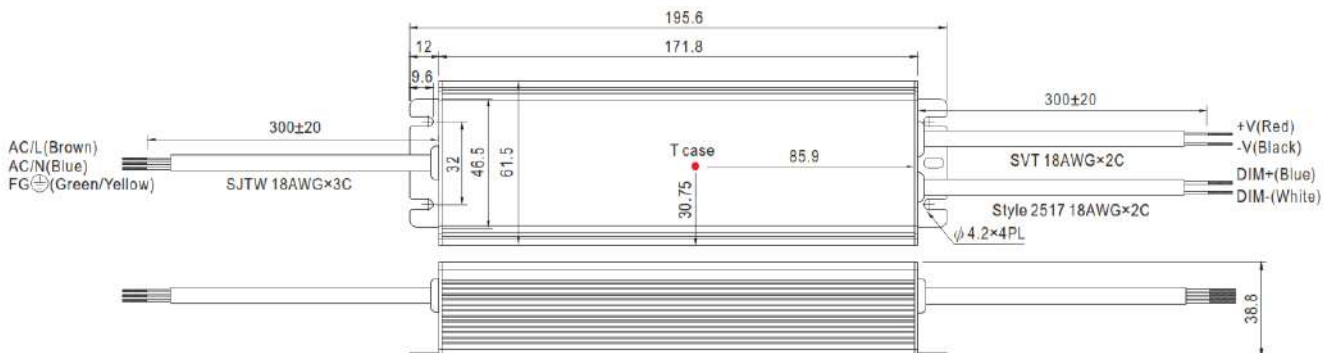
Width: 61mm

Height: 37mm

Weight: 730g

Item No	Product Code	Description
18525	LED-HLG-40H-12B	12VDC 40W weatherproof LED Driver

Weatherproof 12VDC 80W LED Driver

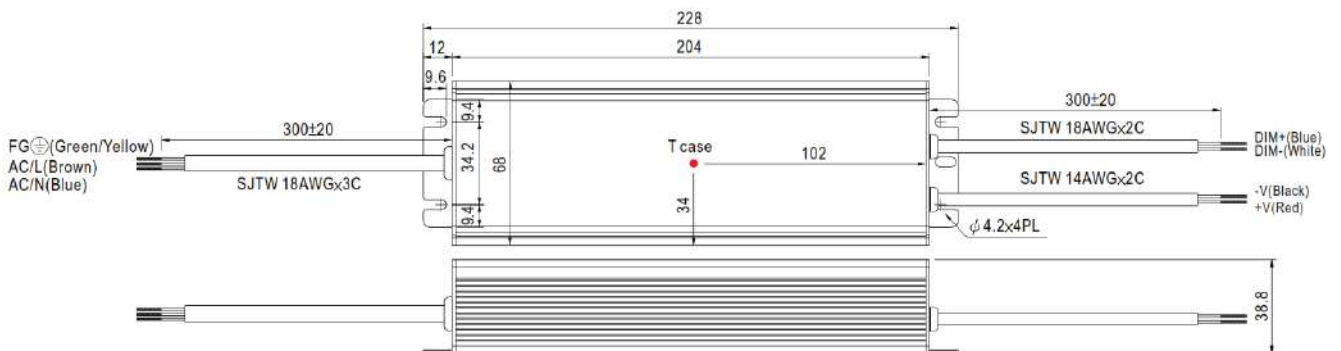


Product specifications

Input Voltage: 90-305VAC
 Output Voltage: 12VDC
 Output Power: 80 watts maximum
 IP Rating: IP67
 Working Temperature: -20 C~45 C
 Dimmable: 0-10V (down to 70%)
 Material: Metal
 Length: 196mm
 Width: 62mm
 Height: 39mm
 Weight: 840g

Item No	Product Code	Description
18535	LED-HLG-80H-12B	12VDC 80W weatherproof LED Driver

Weatherproof 12VDC 150W LED Driver

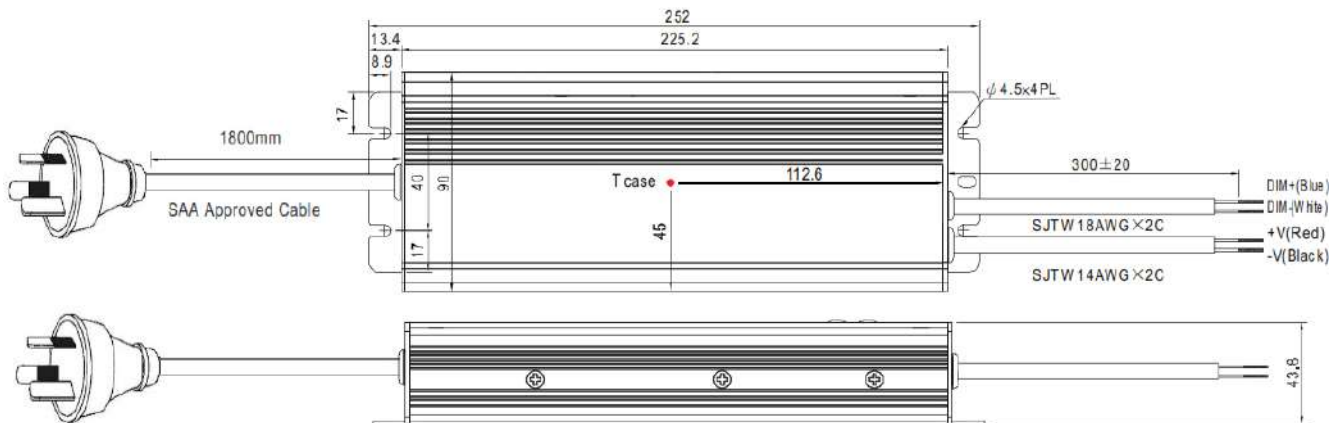


Product specifications

Input Voltage: 90-305VAC
 Output Voltage: 12VDC
 Output Power: 150 watts maximum
 IP Rating: IP67
 Working Temperature: -20 C~45 C
 Dimmable: 0-10V (down to 70%)
 Material: Metal
 Length: 228mm
 Width: 68mm
 Height: 38.8mm
 Weight: 1.15Kg

Item No	Product Code	Description
18557	LED-HLG-150H-12B	12VDC 150W weatherproof LED Driver

Weatherproof 12VDC 320W LED Driver

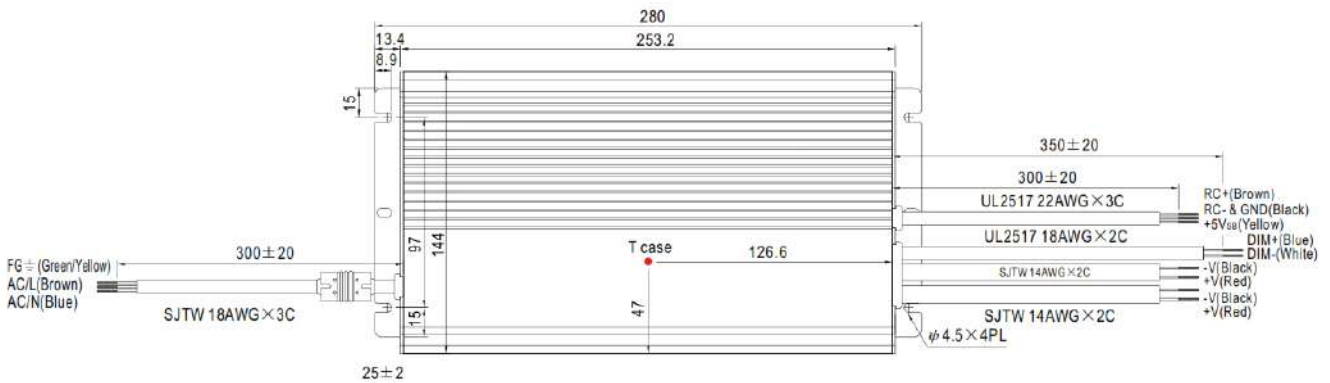


Product specifications

Input Voltage: 90-305VAC
 Output Voltage: 12VDC
 Output Power: 320 watts maximum
 IP Rating: IP67
 Working Temperature: -20 C~45 C
 Dimmable: 0-10V (down to 70%)
 Material: Metal
 Length: 252mm
 Width: 90mm
 Height: 44mm
 Weight: 2.05Kg

Item No	Product Code	Description
18555	LED-HLG-320H-12B	12VDC 320W weatherproof LED Driver

Weatherproof 12VDC 600W LED Driver

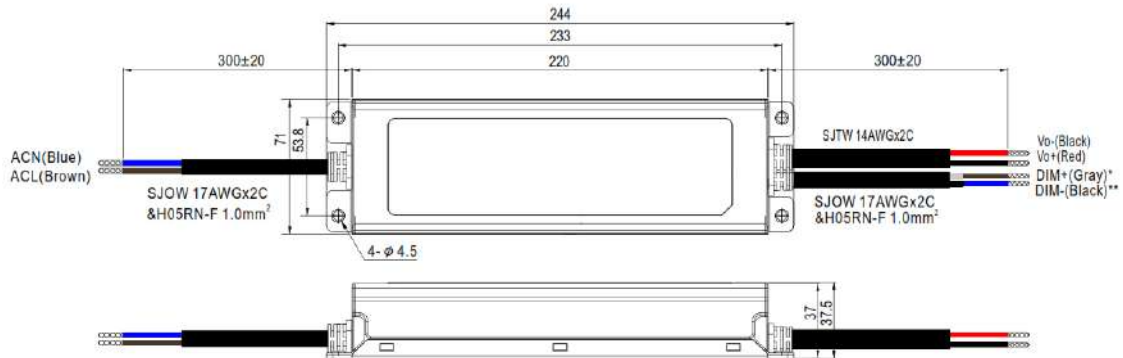


Product specifications

- Input Voltage: 90-305VAC
- Output Voltage: 12VDC
- Output Power: 600 watts maximum
- IP Rating: IP67
- Working Temperature: -20 C~45 C
- Dimmable: 0-10V (down to 70%)
- Material: Metal
- Length: 280mm
- Width: 144mm
- Height: 49mm
- Weight: 3.9Kg

Item No	Product Code	Description
18556	LED-HLG-600H-12B	12VDC 600W weatherproof LED Driver

Weatherproof 12VDC 200W DALI Driver

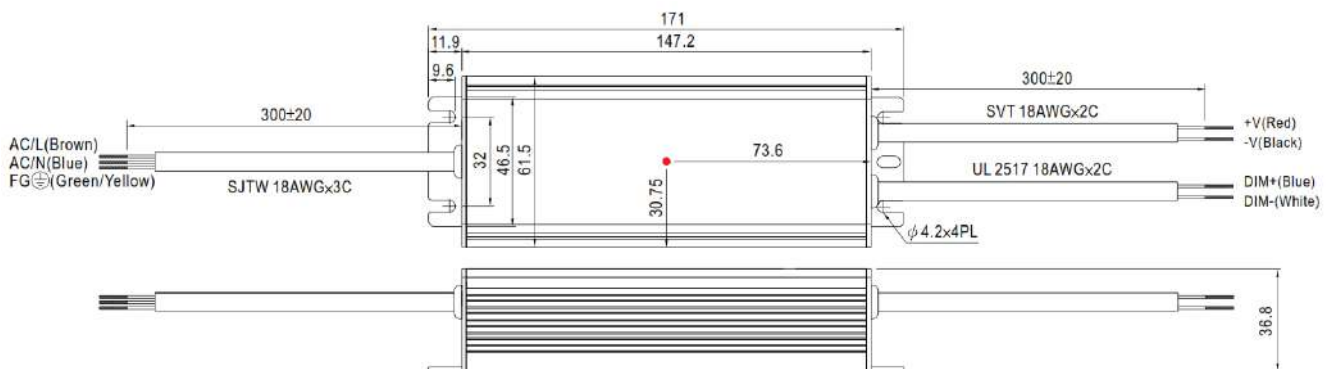


Product specifications

Input Voltage: 90-305VAC
 Output Voltage: 12VDC
 Output Power: 200 watts maximum
 IP Rating: IP67
 Working Temperature: -20 C~45 C
 Dimmable: DALI (down to 70%)
 Material: Metal
 Length: 224mm
 Width: 71mm
 Height: 38mm
 Weight: 1.22Kg

Item No	Product Code	Description
18575	LED-ELG-200-12DA	12VDC 200W weatherproof DALI LED Driver

Weatherproof 24VDC 40W LED Driver

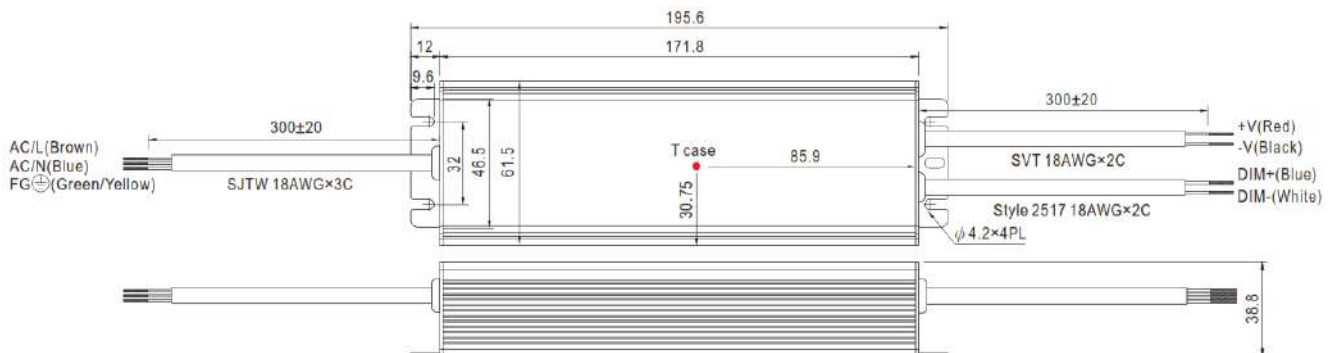


Product specifications

Input Voltage: 90-305VAC
 Output Voltage: 24VDC
 Output Power: 40 watts maximum
 IP Rating: IP67
 Working Temperature: -20 C~45 C
 Dimmable: 0-10V (down to 70%)
 Material: Metal
 Length: 171mm
 Width: 61mm
 Height: 37mm
 Weight: 730g

Item No	Product Code	Description
18613	LED-HLG-40H-24B	24VDC 40W weatherproof LED Driver

Weatherproof 24VDC 80W LED Driver

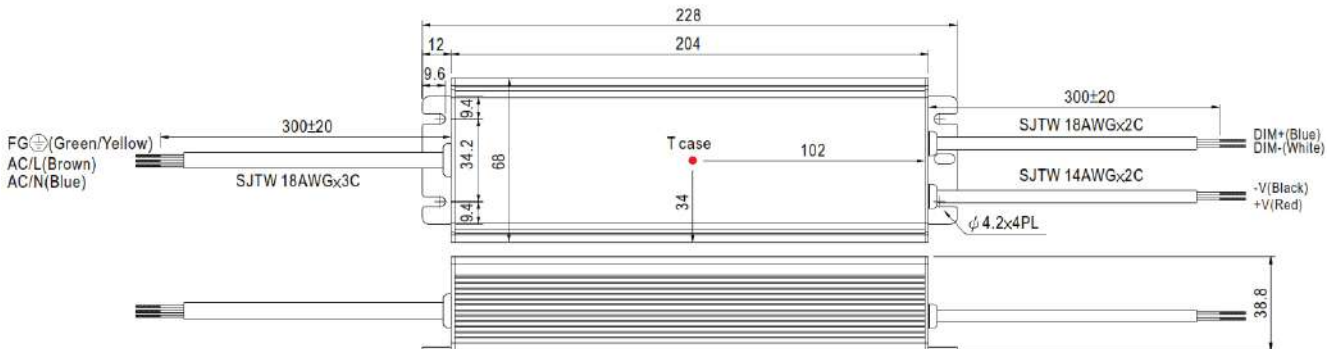


Product specifications

Input Voltage: 90-305VAC
 Output Voltage: 24VDC
 Output Power: 80 watts maximum
 IP Rating: IP67
 Working Temperature: -20 C~45 C
 Dimmable: 0-10V (down to 70%)
 Material: Metal
 Length: 196mm
 Width: 62mm
 Height: 39mm
 Weight: 840g

Item No	Product Code	Description
18617	LED-HLG-80H-24B	24VDC 80W weatherproof LED Driver

Weatherproof 24VDC 150W LED Driver

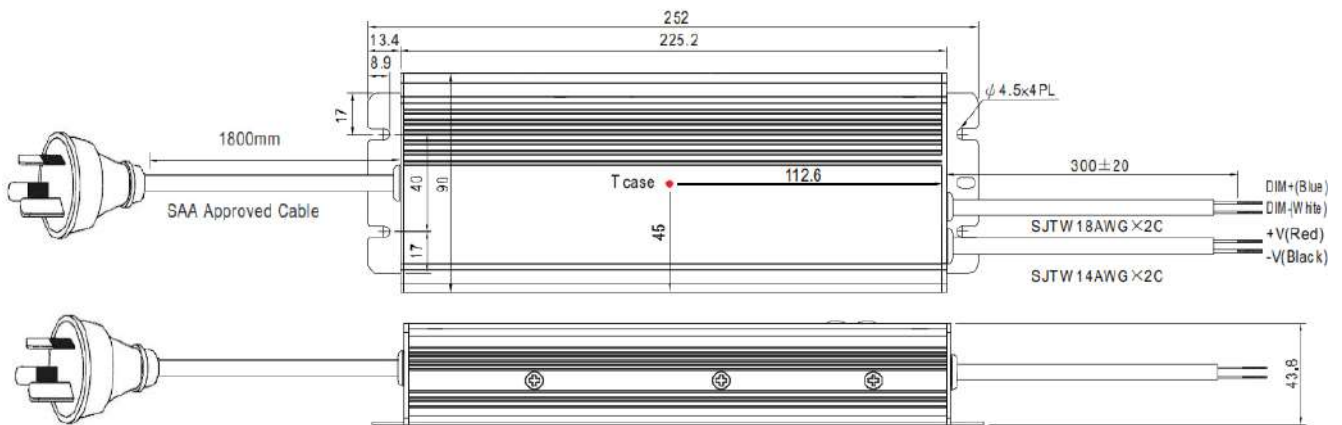


Product specifications

Input Voltage: 90-305VAC
 Output Voltage: 24VDC
 Output Power: 150 watts maximum
 IP Rating: IP67
 Working Temperature: -20 C~45 C
 Dimmable: 0-10V (down to 70%)
 Material: Metal
 Length: 228mm
 Width: 68mm
 Height: 38.8mm
 Weight: 1.15Kg

Item No	Product Code	Description
18625	LED-HLG-150H-24B	24VDC 150W weatherproof LED Driver

Weatherproof 24VDC 320W LED Driver

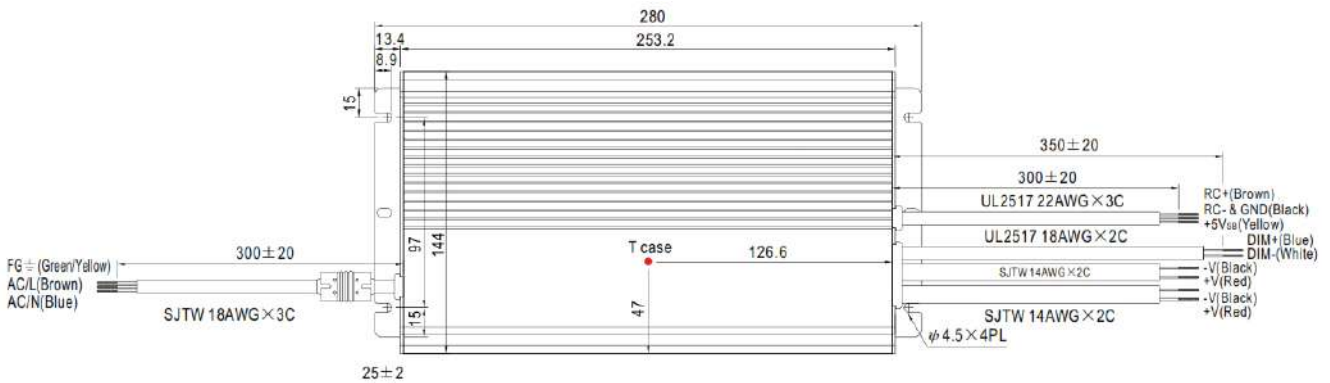


Product specifications

Input Voltage: 90-305VAC
 Output Voltage: 24VDC
 Output Power: 320 watts maximum
 IP Rating: IP67
 Working Temperature: -20 C~45 C
 Dimmable: 0-10V (down to 70%)
 Material: Metal
 Length: 252mm
 Width: 90mm
 Height: 44mm
 Weight: 2.05Kg

Item No	Product Code	Description
18632	LED-HLG-320H-24B	24VDC 320W weatherproof LED Driver

Weatherproof 24VDC 600W LED Driver

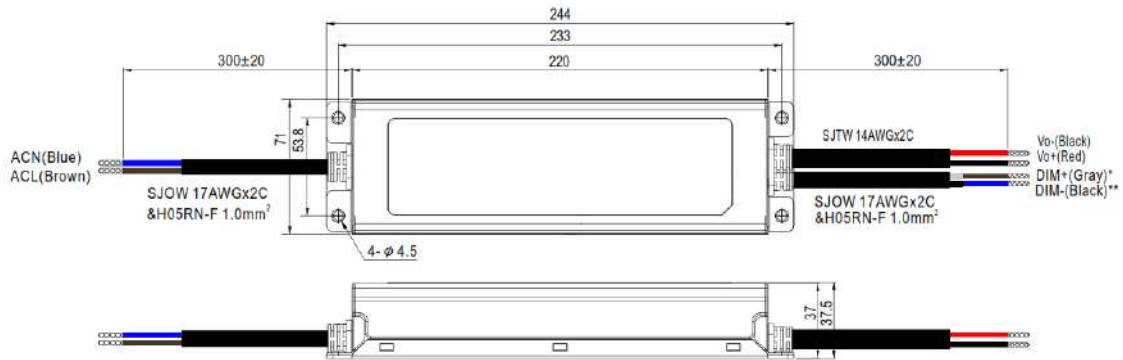


Product specifications

Input Voltage: 90-305VAC
 Output Voltage: 24VDC
 Output Power: 600 watts maximum
 IP Rating: IP67
 Working Temperature: -20 C~45 C
 Dimmable: 0-10V (down to 70%)
 Material: Metal
 Length: 280mm
 Width: 144mm
 Height: 49mm
 Weight: 3.9Kg

Item No	Product Code	Description
18632	LED-HLG-600H-12B	24VDC 600W weatherproof LED Driver

Weatherproof 24VDC 240W DALI Driver



Product specifications

Input Voltage: 90-305VAC
 Output Voltage: 24VDC
 Output Power: 240 watts maximum
 IP Rating: IP67
 Working Temperature: -20 C~45 C
 Dimmable: DALI (down to 70%)
 Material: Metal
 Length: 224mm
 Width: 71mm
 Height: 38mm
 Weight: 1.22Kg

Item No	Product Code	Description
18645	LED-ELG-240-24DA	24VDC 240W weatherproof DALI LED Driver

Where Quality Meets Performance

LED Lighting is Australia's first architectural wholesale LED strip lighting manufacturer.

We are dedicated to the manufacturing and supply of only quality LED strip lighting products and accessories.

A brand you can trust with over 14 years experience in the field of LED Lighting.

LED Lighting provides lighting advice and product recommendation to suit all your applications.

We offer the widest range of Architectural LED strip profiles available, to suit many diverse applications.

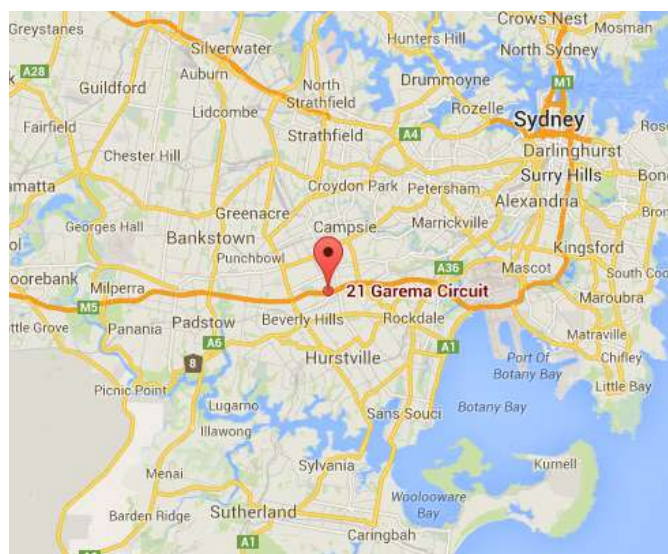
We provide LED strip lighting advice on colour temperature, intensity and dimming control integration to suit your specific lighting requirements.

All of our profiles are manufactured in 2 metre lengths which can easily accommodate a large array of applications.

We also offer customised manufactured lengths under 2 metres and can supply this to the customer as complete finished linear Luminaries if required. For lengths over 2 metres our profiles simply butt together for an endless seamless continuous look (no joiners required).

LED Lighting supply both nationally and internationally from their new much larger facility conveniently located at Kingsgrove in Sydney, Australia.

21 Garema Circuit
KINGSGROVE NSW 2208
AUSTRALIA
Telephone: +61 2 9534 4404
Email: sales@ledlighting.com.au



Optic Fibre & LED Lighting Solutions



A brand you can trust with over 14 years of experience in the field of LED Lighting.