

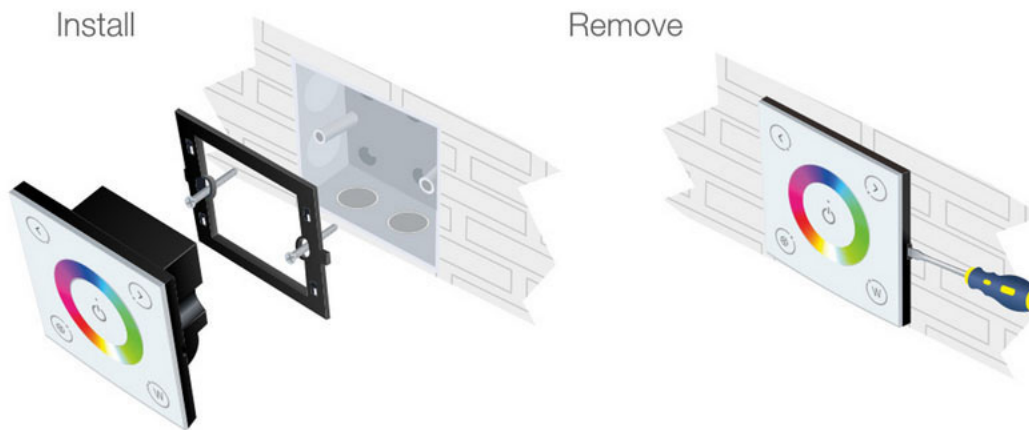


RGBW Touch Panel Dimmer

D4 wall-mounted touch panel controller single zone series is widely installed in commercial / office / household applications.

Technical Specifications

Product Description	LED-D4-RGBW Touch Panel RGBW Dimmer
Input Voltage	12 - 24VDC
No. Of Channels	4CH
Output Current	4A
Max Output Power	192W/384W (12V/24V)
Height	36mm
Width	86mm
Length	86mm
Working Temperature	-20°C ~ 60°C
Weight	162g



Installed in standard 86 boxes

Professional shell design combined with sealed PCB, super easy to install & remove. Unlike the similar ones in the market. Which needs to take the controller apart while installation, the PCB will be exposed and easily damaged during this course.

Product Code

Touch Panel RGBW Dimmer	LED-D4-RGBW
-------------------------	-------------