

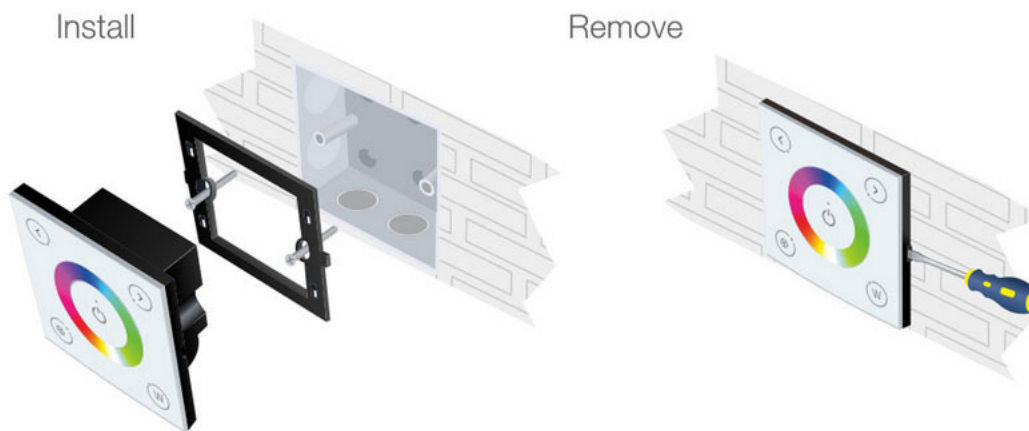


# Single Channel Touch Panel Dimmer

D1 wall-mounted touch panel controller single zone series is widely installed in commercial / office / household applications.

## Technical Specifications

Product Description	LED-D1-DIM Single channel touch panel dimmer
Input Voltage	12 - 24VDC
No. Of Channels	3CH
Output Current	4A
Max Output Power	144W/288W (12V/24V)
Height	50mm
Width	112mm
Length	113mm
Working Temperature	-20°C ~ 60°C
Weight	162g



### Installed in standard 86 boxes

Professional shell design combined with sealed PCB, super easy to install & remove. Unlike the similar ones in the market. Which needs to take the controller apart while installation, the PCB will be exposed and easily damaged during this course.

## Product Code

Touch Panel Dimmer

LED-D1-DIM